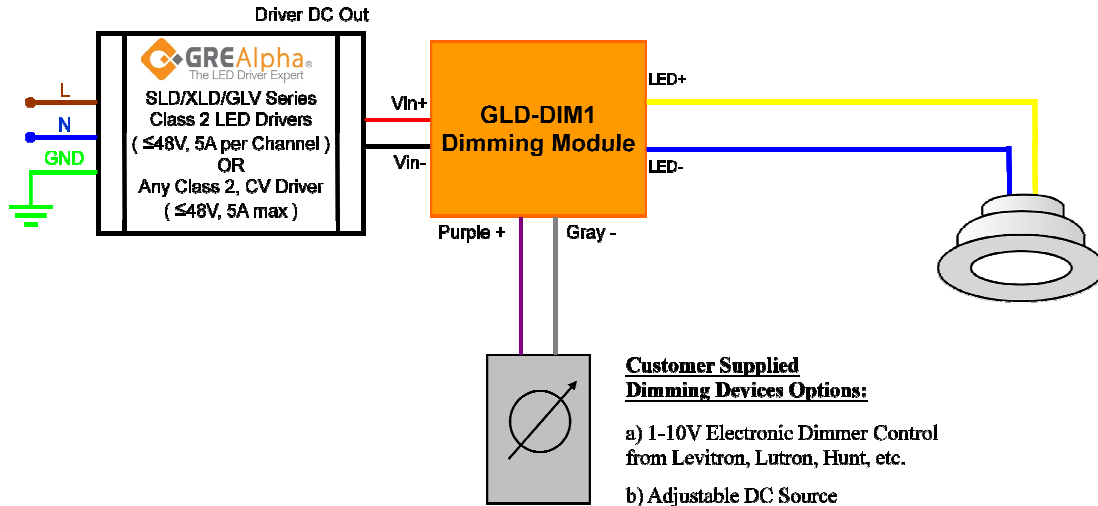


# GLD-DIM



**\*\* Note alternate simple on-off operation:**  
 - Connecting the Purple and Grey output together will provide 0% brightness.  
 - Leave Purple and Grey output open will provide 100% brightness.

## 0/1-10V

