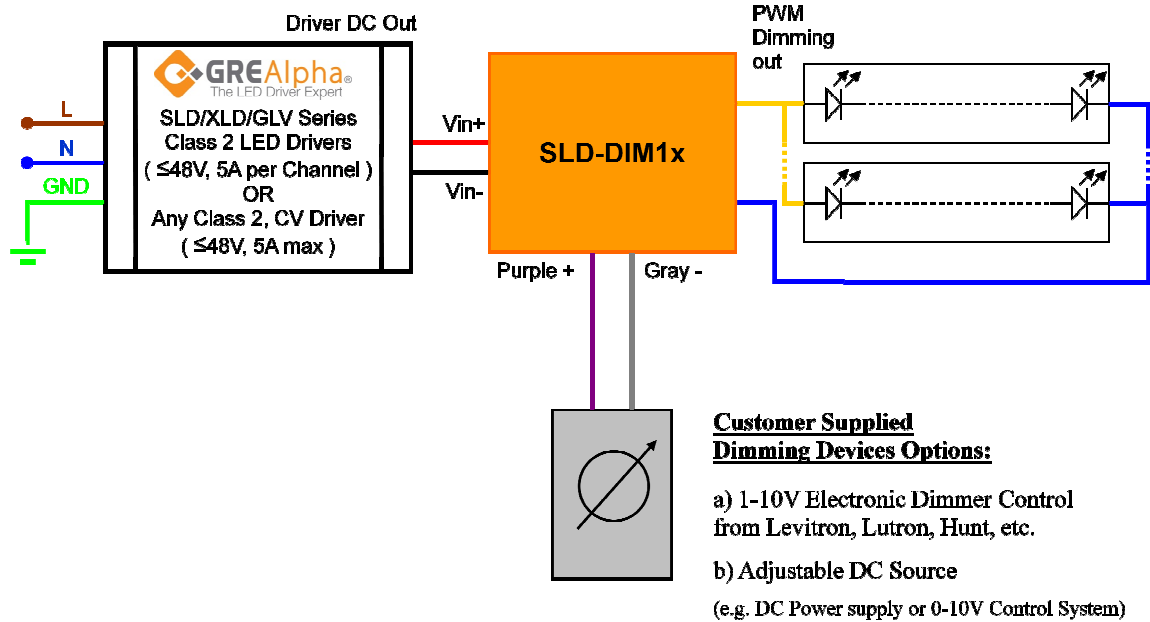


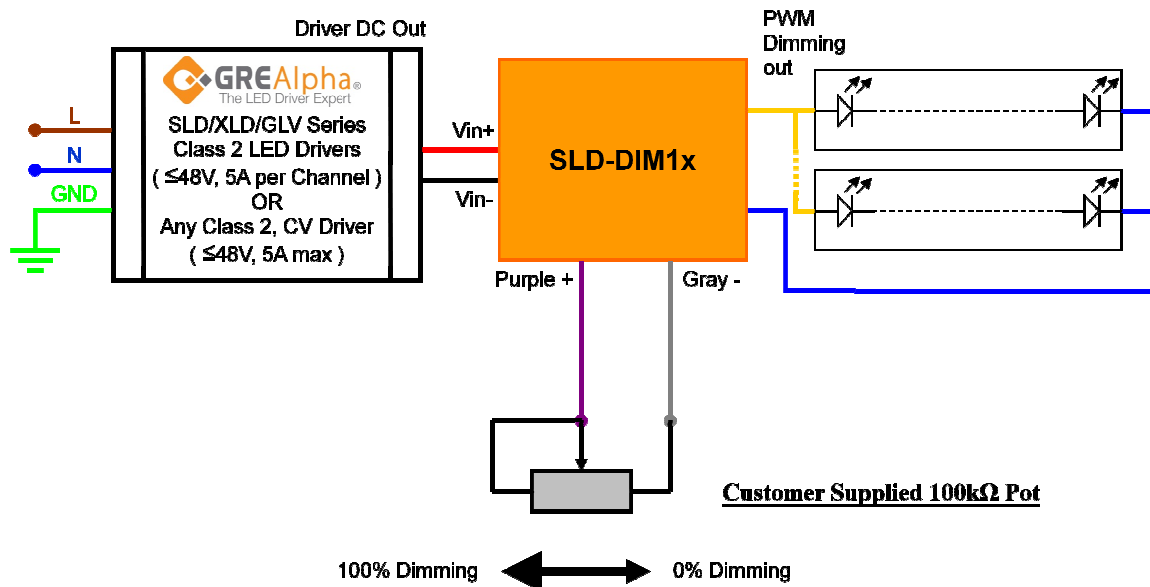
SLD-DIM1x



** Note alternate simple on-off operation:

- Connecting the Purple and Grey wires together will provide 0% brightness.
- Leave Purple and Grey wires open will provide 100% brightness.

-* 0-100% flicker-free performance not guaranteed when used with non-GRE Alpha CV Drivers



** Note alternate simple on-off operation:

- Connecting the Purple and Grey wires together will provide 0% brightness.
- Leave Purple and Grey wires open will provide 100% brightness.

-* 0-100% flicker-free performance not guaranteed when used with non-GRE Alpha CV Drivers