



SLD DIM CB4/ CB4UL Dimming Module

GRE Alpha's Casambi enabled dimming module is a 400 Watt, 4-channel output Constant Voltage LED dimming module that allows for seamless integration with Casambi-enabled luminaires, sensors, wall mounted and wireless switches.

SLD-DIM-CB4

Casambi Dimming Module



Features

- Wireless Bluetooth Low Energy communication
- 4 Channel output
- Free Casambi App on Android and iOS
- Unlimited number of luminaire connections
- Comply with EN55015 and FCC Part 15 without additional input filter or capacitor
- Easy to Install, high reliability
- 3 years warranty

Applications

- Retrofit lighting
- Commercial, retail, residential Lighting
- Museum, Hotel, Office lighting
- Color changing, RGBW Lighting

Model	Input			Output				
	Input Voltage Range(VDC)	Channel(s) Current(A)	Channel(s) Input	Channel(s) Output	Voltage (VDC)	Max. Current Per Channel(A)	Max Output Power (Per Channels) (W)	Max Output Power (All Channels) (W)
SLD-DIM-CB4	8 - 48	12	1	4	Vin - 0.3V	5	100	400

*- SLD-DIM-CB4 dimming module requires an external CV LED driver, connected to the DC input, and should not exceed the above input voltage range.

Input Specification

Voltage Range	8 - 48 Vdc	Input Current	12 A
Control	Bluetooth 4.0	Over Voltage	Auto Recovery upon input voltage under Vin (max)
Short Circuit Protection	Hiccup-Mode, Auto-Recovery upon removal of short circuit condition.	Over Temperature Protection	Auto recovery upon operating temperature <105°C

Output Specification

Output Frequency	1.6 kHz PWM	Output Current	5A max. at full load **
Power Efficiency	97% Typ	Dimming Ratio	1:1000

** - SLD-DIM-CB4 dimming module max. output current is dependent on LED driver output current.

Environmental Specification

Ambient Temperature	Storage Temp	Relative Humidity
- 20°C ~ 40°C (Full Load)	- 40°C - 85°C	5% - 93 %

Compliance / Safety

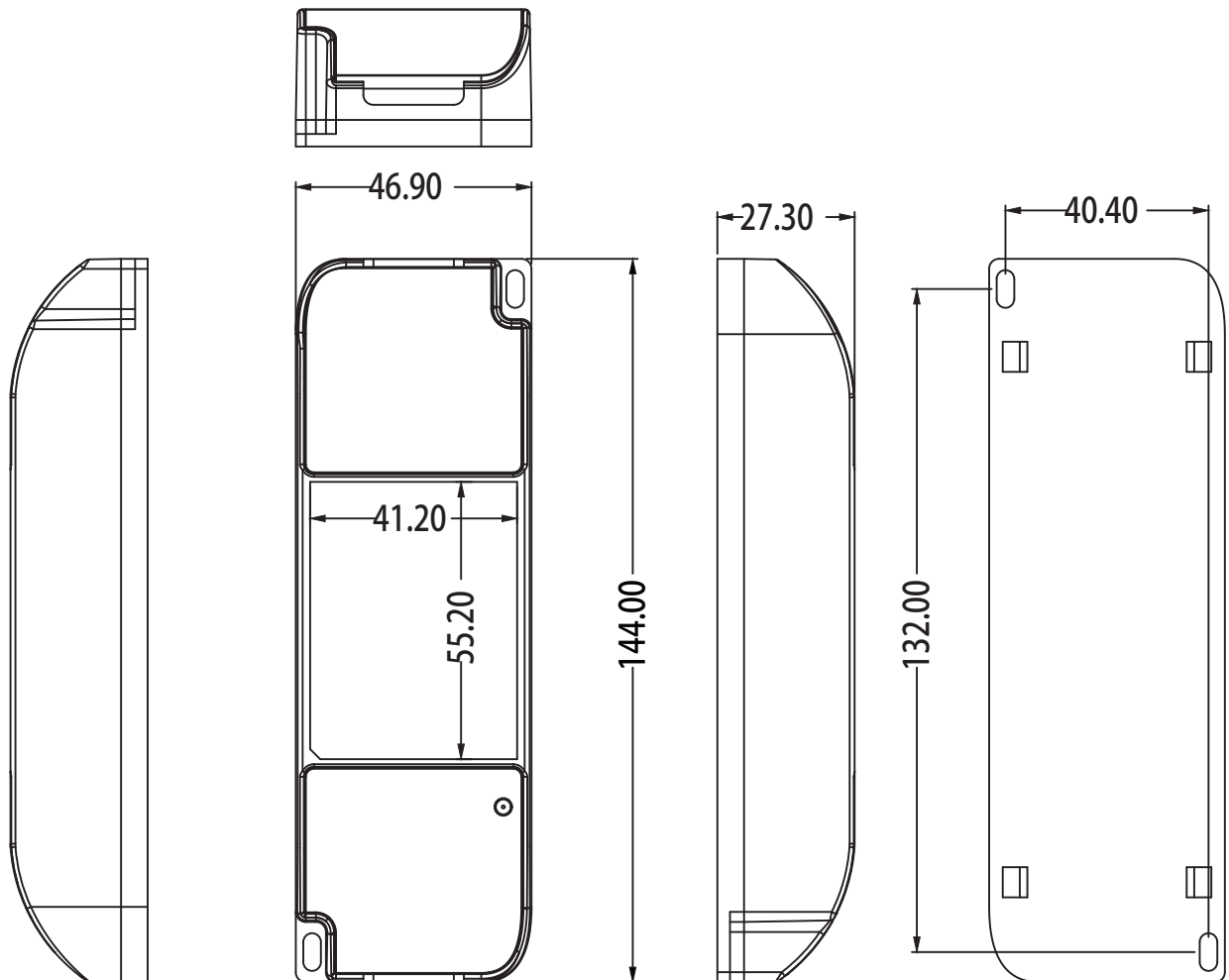
Wireless Standards:	Bluetooth 4.0
Weatherability:	IP 20

Mechanical Specification

Power Unit Dimensions	44mm (L) x46.9mm (W) x 27.3mm (H)
Case Design/Material	Polycarbonate White
Connections	WAGO terminal block connectors; 24-16 AWG(0.25-1 mm) Use Copper Conductors Only; LED1+, LED1-, Vin+, Vin-, LED2+, LED2-,

Mechanical Diagram

SLD-DIM-CB4



Packing Information:

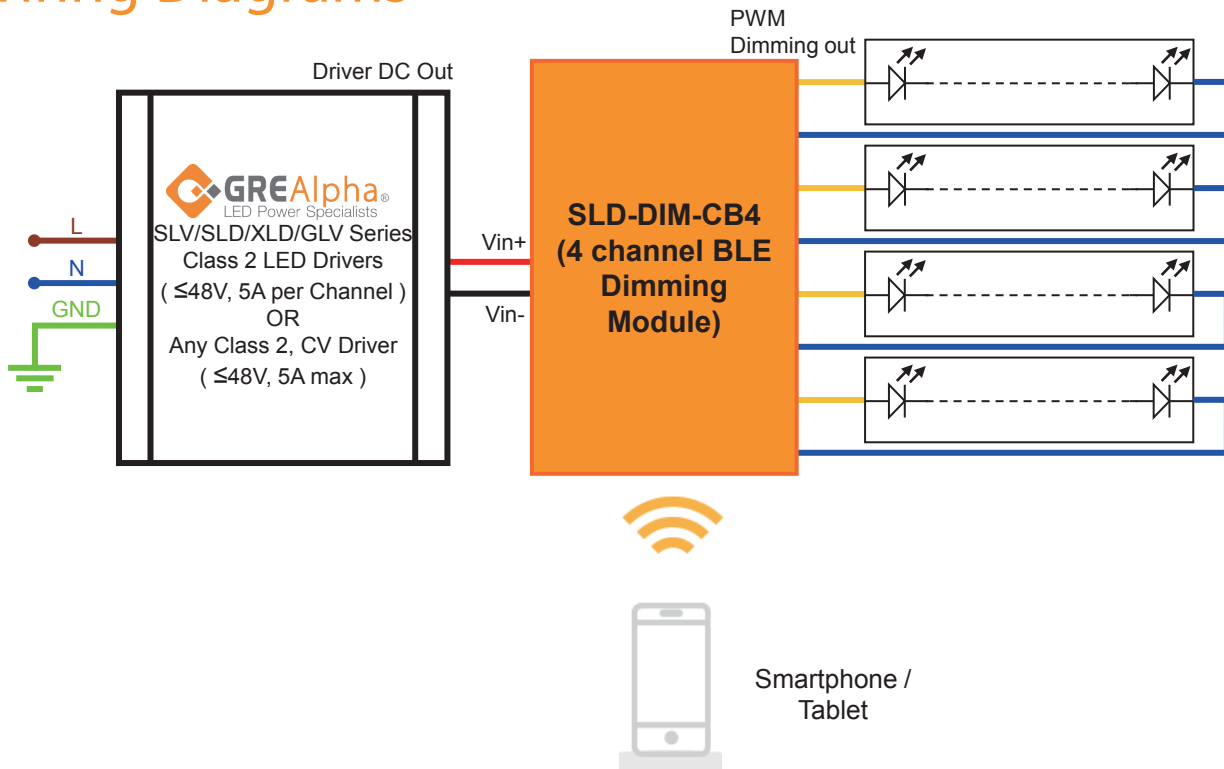
0.04kg/pc; 150 pcs/carton;

6.8kg/ carton; L435*W250*L193(mm)

Information furnished is believed to be accurate and reliable. However, GRE Alpha assumes no responsibility for the consequences of use of such information nor for any infringement of patents or other rights of third parties which may result from its use. No license is granted by implication or otherwise under any patent or patent rights of GRE Alpha. Specifications mentioned in this publication are subject to change without notice. This publication supersedes and replaces all information previously supplied.

The GRE Alpha logo is a registered trademark of GRE Alpha Electronics Ltd.
All other names are the property of their respective owners

Wiring Diagrams



-* 0-100% flicker-free performance not guaranteed when used with non-GRE Alpha CV Drivers

SLD-DIM-CB4

First Time Use/Pairing Instructions

1. Connect the SLD-DIM-CB4 dimming module per the Wiring Diagram.
2. Power on
3. Download the Casambi App from the App Store (for iOS devices) or Google Play (Android devices) and follow the instructions on the Casambi App.

This dimming module can operate in different modes. For information on how to change to different operating modes, please refer to the "Casambi Ready Dimming Module Set Up and User Instructions" on our website.

GRE Alpha undertakes extensive testing on its dimming modules to ensure dimming compatibility and performance to our best ability. However due to rapidly evolving technology and the wide number of dimmers available GRE Alpha makes no specific recommendations on dimming system selection for its dimming modules and there are no warranties of performance or compatibility implied. Please test product for dimming compatibility before use.

Information furnished is believed to be accurate and reliable. However, GRE Alpha assumes no responsibility for the consequences of use of such information nor for any infringement of patents or other rights of third parties which may result from its use. No license is granted by implication or otherwise under any patent or patent rights of GRE Alpha. Specifications mentioned in this publication are subject to change without notice. This publication supersedes and replaces all information previously supplied.

The GRE Alpha logo is a registered trademark of GRE Alpha Electronics Ltd.
All other names are the property of their respective owners