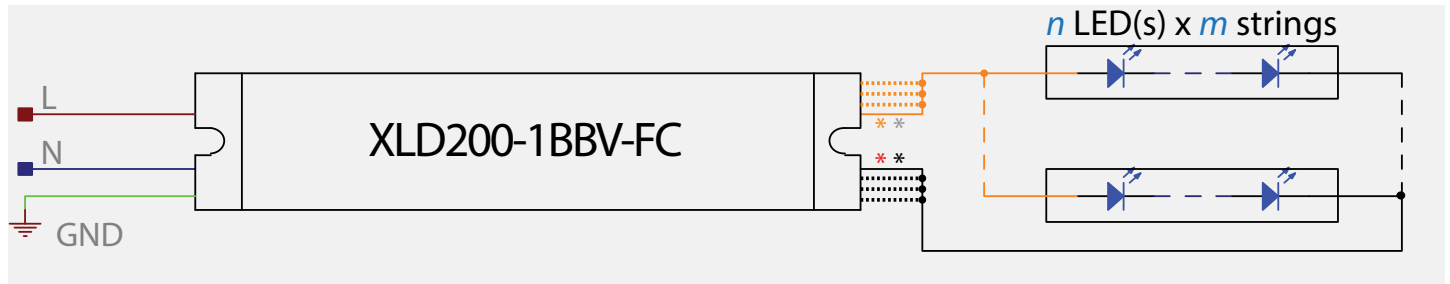


XLD200 Series Configuration Arrays and Wirings

Single Channel Output Models



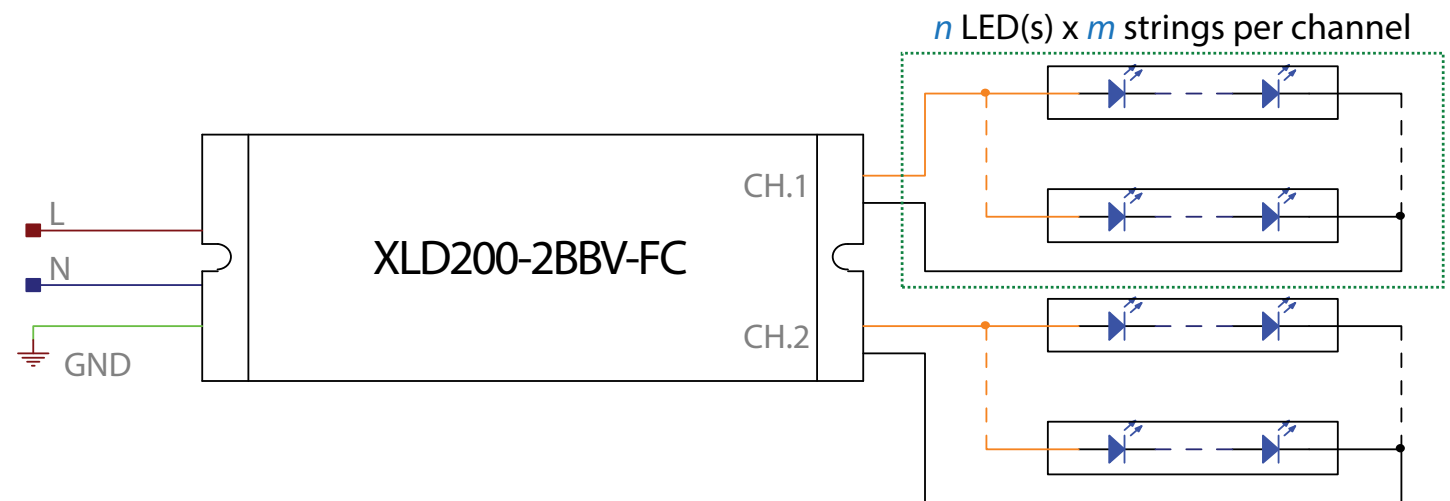
Single Channel	CC mode LED Voltage Range (V)	Recommended n LED(s) per String *	Current POT Adjust Range (A)	LED Current per String
XLD200-112V-FC**	6 - 12	2 - 4	1.67 - 17.5	$= \frac{I_{out}}{m \text{ Strings}}$
XLD200-124V-FC**	12 - 24	4 - 9	0.83 - 8.75	
XLD200-148V-FC	24 - 48	9 - 18	0.42 - 4.38	
XLD200-170V-FC	35 - 70	13 - 27	0.29 - 3.00	
XLD200-1105V-FC	52.5 - 105	20 - 40	0.19 - 2.00	

* LED Vf range: 2.7-3.6V

** XLD200-112V-FC models have 4 Red and 4 Black wires on the DC output. This is to reduce power loss due to high current operation. During installation, connect same color wires together for desired current output.

** XLD200-124V-FC models LED output have 2 Red & 2 Black wires on the DC output. This is to reduce power loss due to high output current operation. During installation, connect same color wires together for desired current output.

2 Channel Output Models



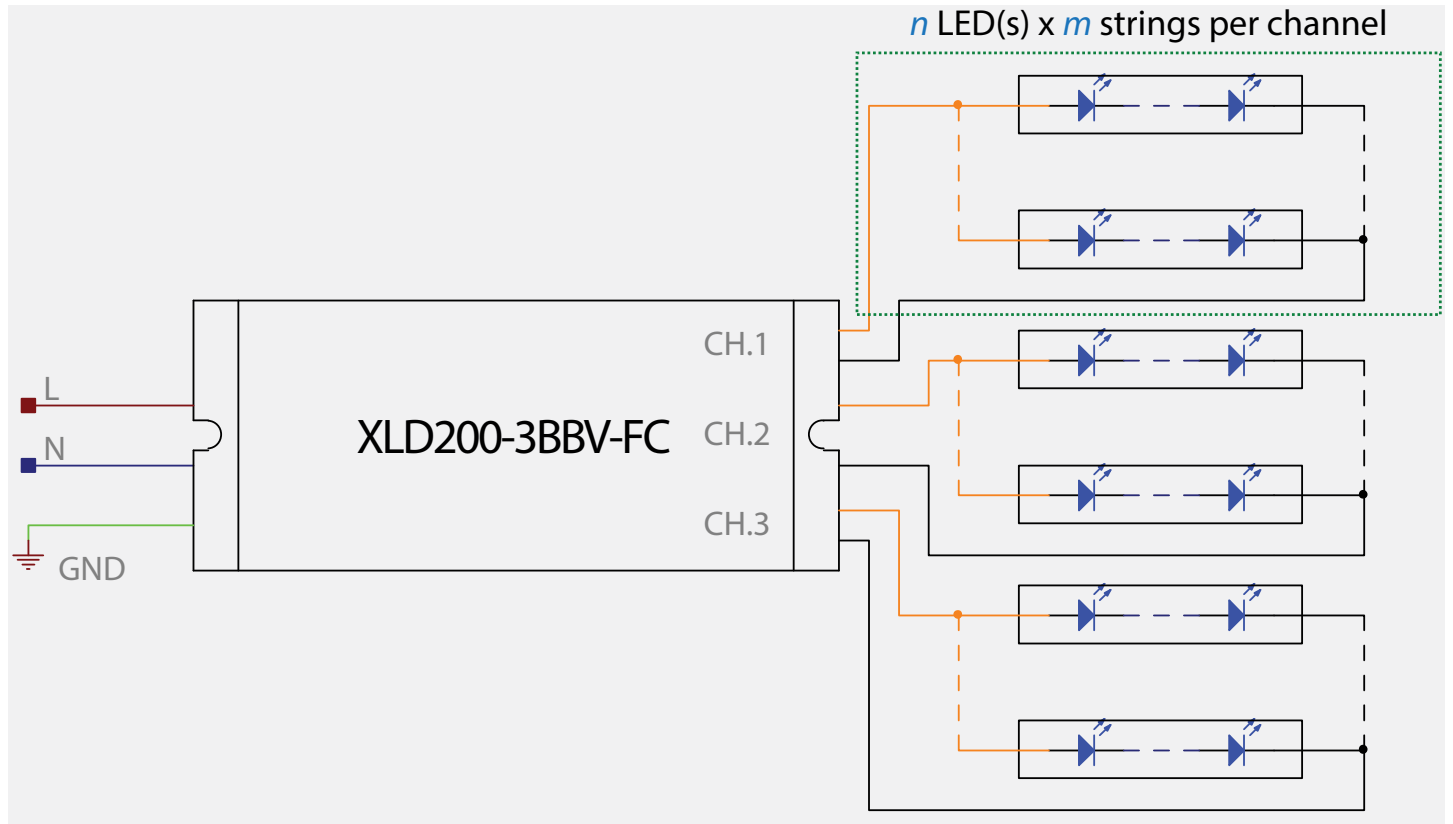
Dual Channels	CC mode LED Voltage Range (V)	Recommended n LED(s) per String *	Current POT Adjust Range (A)	LED Current per String
XLD200-224V-FC	12.0 - 24.0	4 - 9	0.42 - 8.75	$= \frac{I_{out}}{m \text{ Strings}}$
XLD200-236V-FC	18.0 - 36.0	5 - 13	0.28 - 5.83	
XLD200-248V-FC	24.0 - 48.0	7 - 18	0.21 - 4.38	

* LED Vf range: 2.7-3.6V

** XLD200-112V-FC models have 4 Red and 4 Black wires on the DC output. This is to reduce power loss due to high current operation. During installation, connect same color wires together for desired current output.

** XLD200-124V-FC models LED output have 2 Red & 2 Black wires on the DC output. This is to reduce power loss due to high output current operation. During installation, connect same color wires together for desired current output.

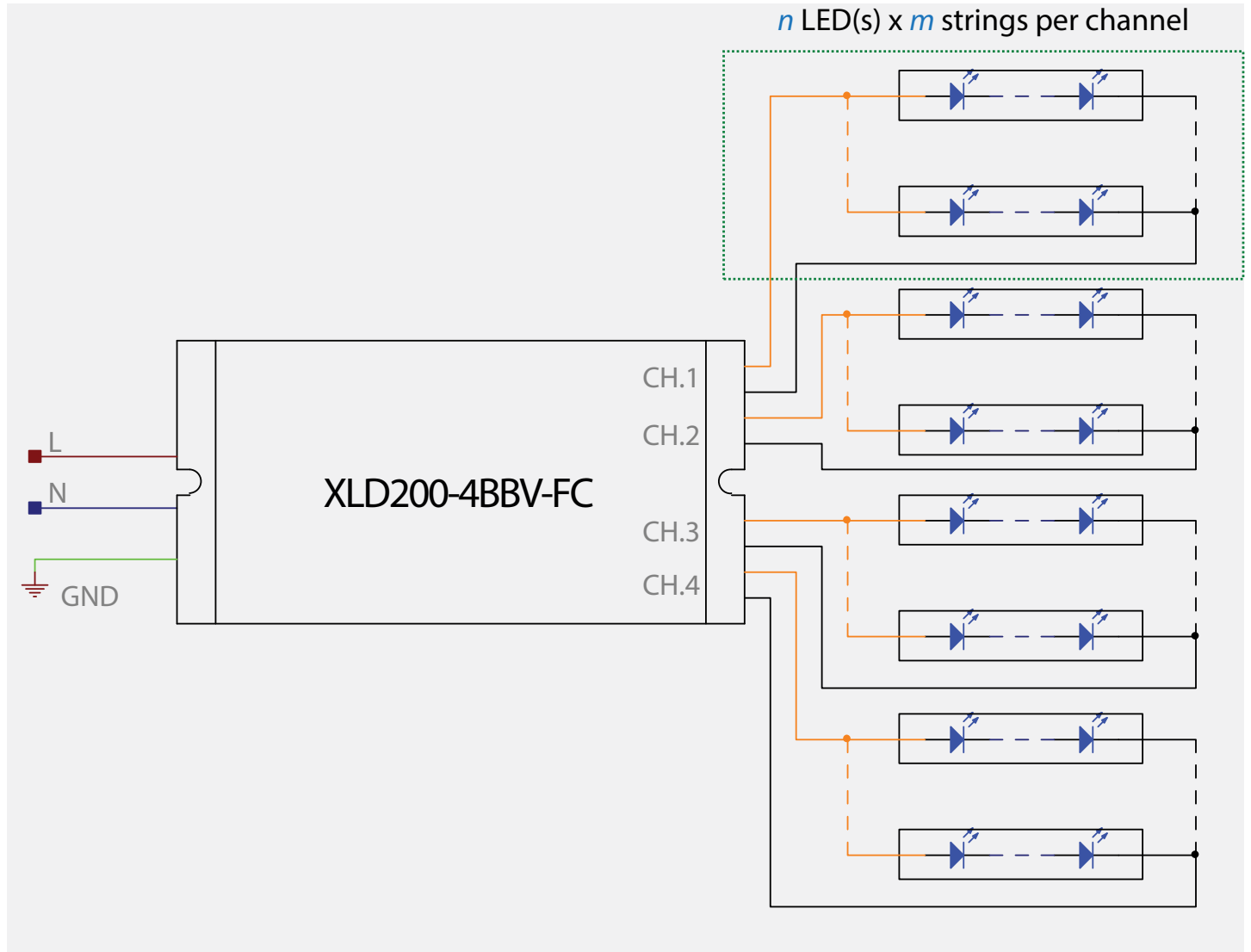
3 Channel Output Models



3 Channels	CC mode LED Voltage Range (V)	Recommended n LED(s) per String *	Current POT Adjust Range (A)	LED Current per String
XLD200-315V-FC	7.5 - 15.0	2 - 5	0.44 - 14	$= \frac{I_{out}}{m \text{ Strings}}$
XLD200-324V-FC	12.0 - 24.0	3 - 9	0.28 - 8.75	
XLD200-330V-FC	15.0 - 30.0	4 - 11	0.22 - 7.00	
XLD200-336V-FC	24.0 - 36.0	5 - 13	0.19 - 5.83	
XLD200-348V-FC	24.0 - 48.0	7 - 18	0.14 - 4.38	

*LED Vf range: 2.7-3.6V, CH.1 ~ CH.3 Output Voltage/Current outputs equal

4 Channel Model



Dual Channels	CC mode LED Voltage Range (V)	Recommended n LED(s) per String *	Current POT Adjust Range (A)	LED Current per String
XLD200-412V-FC	6.0 - 12.0	2 - 4	0.42 - 17.50	$= \frac{I_{out}}{m \text{ Strings}}$
*LED Vf range: 2.7-3.6V, CH.1 ~ CH.4 Output Voltage/Current outputs equal				

The GRE Alpha logo is a registered trademark of GRE Alpha Electronics Ltd.
All other names are the property of their respective owners