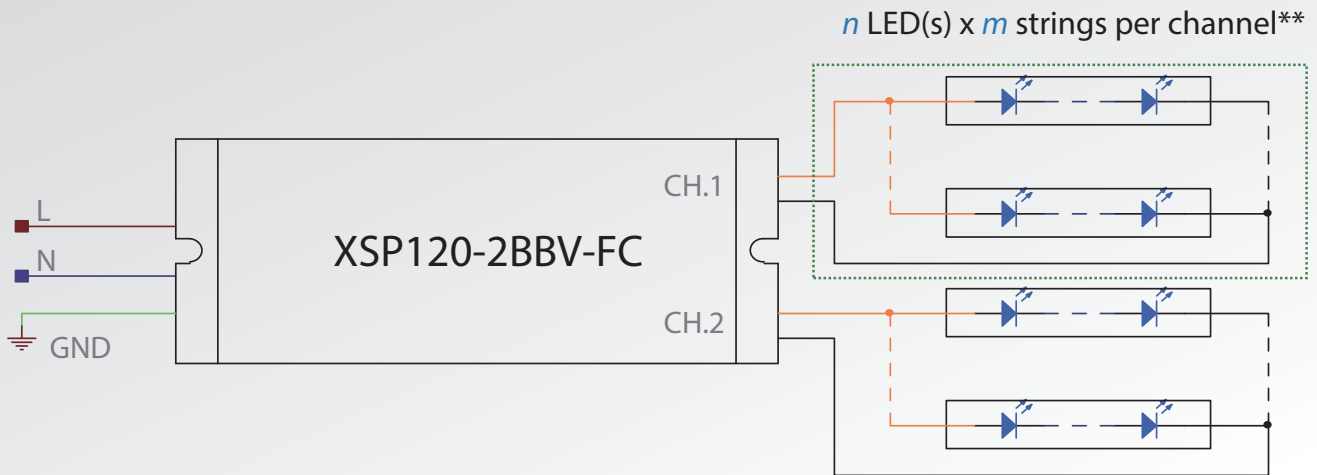


Configuration Arrays



Model	CC mode LED Voltage Range (V)	Recommended n LED(s) per String *	Current POT Adjust Range (A)	LED Current per String
XSP120-208V-FC	5.6 - 8.4	2 - 3	1.00 - 10.00	$= \frac{I_{out}}{m \text{ Strings}}$
XSP120-212V-FC	8.4 - 12.6	3 - 5	1.00 - 10.00	
XSP120-215V-FC	10.5 - 15.8	3 - 6	0.80 - 8.00	
XSP120-224V-FC	16.8 - 25.2	5 - 9	0.50 - 5.00	
XSP120-248V-FC	33.6 - 50.4	9 - 18	0.25 - 2.50	

*LED Vf range: 2.7-3.6V, CH.1 & CH.2 Output Voltage/Current equal

**Note: In Constant-Current Mode operation, each channel is not individually current regulated. It is a single Constant-Current output split into two Class 2 channels. For Individual Channel Constant-Current and Dimming operation, the use of GRE Alpha's 2-channel CC Module is recommended, GLD-DIMTW-CB Series.

Information furnished is believed to be accurate and reliable. However, GRE Alpha assumes no responsibility for the consequences of use of such information nor for any infringement of patents or other rights of third parties which may result from its use. No license is granted by implication or otherwise under any patent or patent rights of GRE Alpha. Specifications mentioned in this publication are subject to change without notice. This publication supersedes and replaces all information previously supplied.

The GRE Alpha logo is a registered trademark of GRE Alpha Electronics Ltd.
All other names are the property of their respective owners

Copyright © 2024 GRE Alpha. All rights reserved. Reproduction in whole or in part without permission is prohibited.