



LUNA

Bluetooth Low Energy with NFC Interface Rocker Switch

The ENO-LUNA is a universal energy harvesting wireless switch. It comes in two form factors to fit both European and US standards. This rocker switch uses EnOcean's energy harvesting technology for maintenance-free, self-powered Bluetooth Low Energy transmission.

The switch's internal module utilizes an electro-dynamic energy transducer that converts rocker movement into electrical energy. Every time the rocker is pressed or released, this energy creates a set of Bluetooth Low Energy advertising frames that identify the button's status (pressed or released).

Features

- Bluetooth Low Energy (BLE) with NFC Interface
- EnOcean energy harvesting technology
- EU or US size available with different color and finishing options
- Wall-mounted or portable
- Works with Casambi Ready devices

Applications

- Retrofit lighting
- Commercial, retail, residential lighting
- Museum, Hotel, Office lighting

LUNA

Bluetooth Low Energy with NFC Interface Rocker Switch



Specification

Power Supply	Integrated Kinetic Energy Harvester	Channels	2
Radio Transmitter	Pushbutton module with integrated antenna	Device Configuration	NFC (ISO 14443)
Energy Source	Electro-dynamic energy generator, maintenance free	Transmission Range	Up to 15 meters
Frequency / Protocol	2.4 GHz / Bluetooth Low Energy (BLE)		

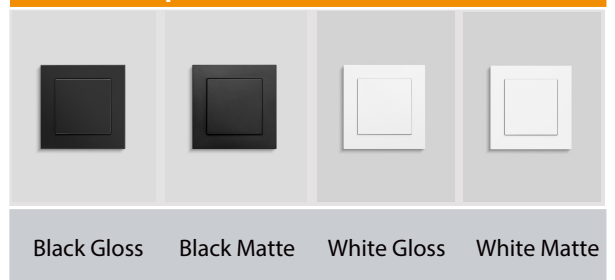
Environmental Specification

Operating Temperature	Environmental Rating	Humidity
Temperature: -25 to 65°C	Non-condensing, Dry Location	0 to 95%

Compliance / Safety

Approval (Based on BLE module)	RED (Europe), FCC (US), ISED (Canada), ARIB (Japan), ACMA (Australia)
Lifetime	Typ. 100.000 (tested according to EN 60669 / VDE 0632), at 25°C

Color Options

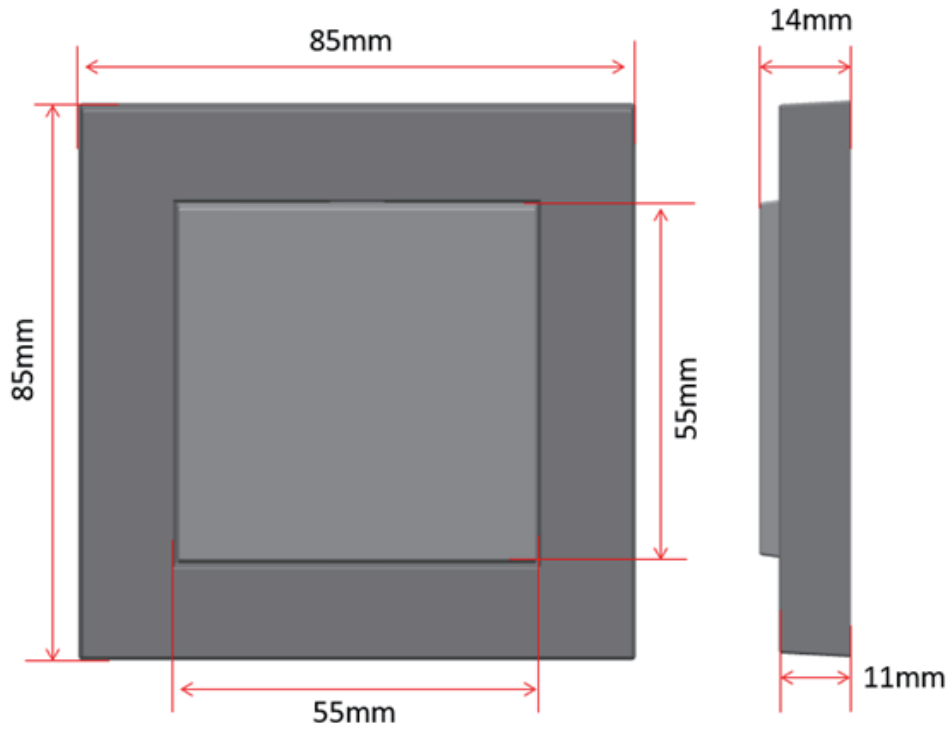


Mechanical Specification

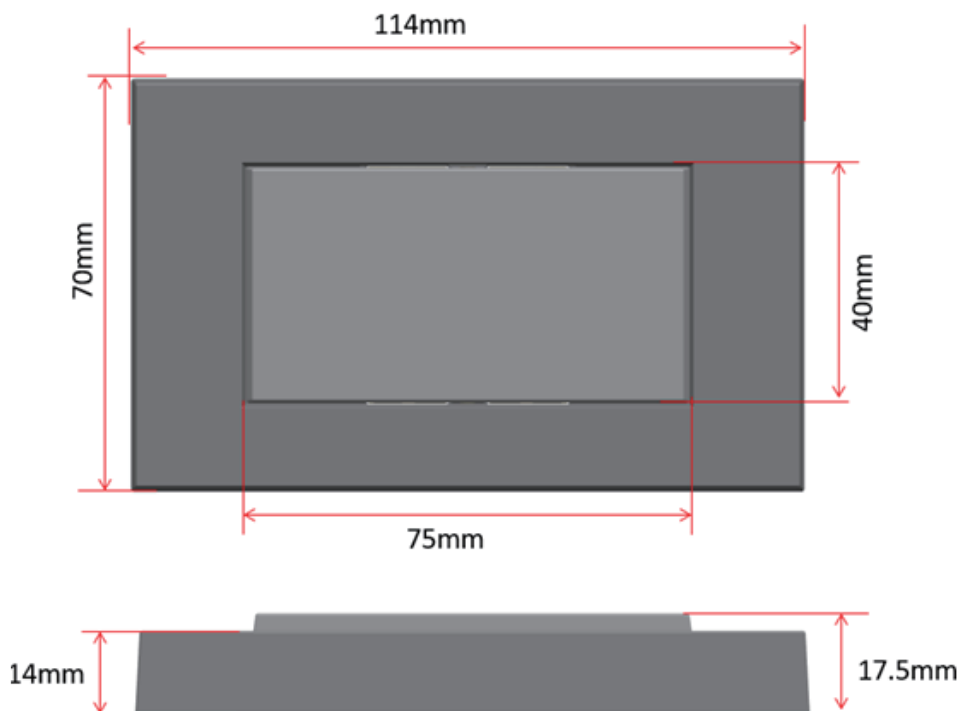
Dimensions of Rocker	EU: 55 x 55 mm US: 1-9/16 x 2-15/16 inches
Dimensions of Frame	EU: 85 x 85 mm US: 2-3/4 x 4-1/2 inches
Mounting	Screw mount
Packaging	Individually packed

Mechanical Diagram

EU Version



US Version



Connection – How to add to a Casambi Network

1. In the Casambi app, navigate to More -> Switches.
2. Tap on "Add an EnOcean switch".
3. Ensure NFC is enabled on your mobile device.
4. Touch the switch to the NFC reception area of your mobile device. Your device may buzz and the Switches page should open, displaying the switch.
5. Tap the switch to open a configuration page. Here, you can configure the functionality of your switch, change the name and the faceplate to match the type you are using. Ensure you have the correct faceplate set before you start configuring.
6. Select the faceplate that matches your EnOcean switch by clicking on the faceplate picture (the Casambi app will default to showing the 4 button faceplate).
7. Choose the function for the buttons of your switch by tapping on the PRESET fields.

GRE Alpha undertakes extensive testing on its dimming modules to ensure dimming compatibility and performance to our best ability. However due to rapidly evolving technology and the wide number of dimmers available GRE Alpha makes no specific recommendations on dimming system selection for its dimming modules and there are no warranties of performance or compatibility implied. Please test product for dimming compatibility before use.

Information furnished is believed to be accurate and reliable. However, GRE Alpha assumes no responsibility for the consequences of use of such information nor for any infringement of patents or other rights of third parties which may result from its use. No license is granted by implication or otherwise under any patent or patent rights of GRE Alpha. Specifications mentioned in this publication are subject to change without notice. This publication supersedes and replaces all information previously supplied.

The GRE Alpha logo is a registered trademark of GRE Alpha Electronics Ltd.
All other names are the property of their respective owners